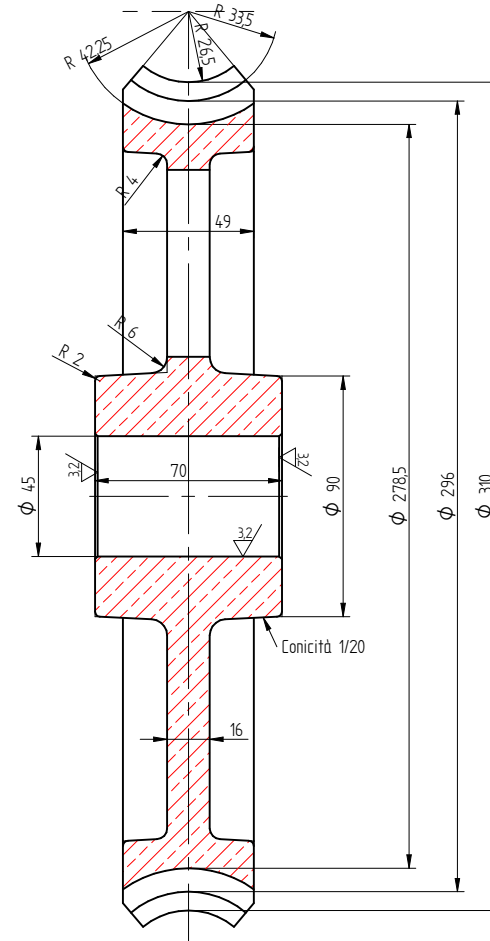
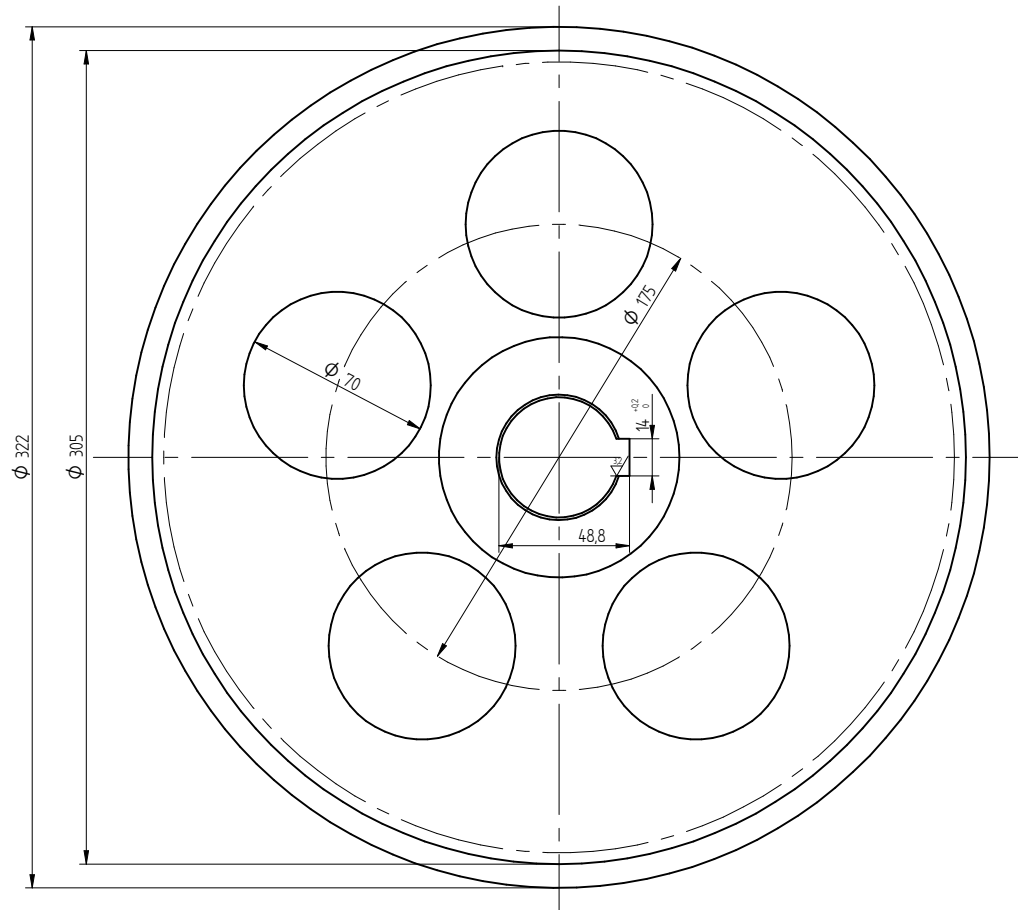


REVISION HISTORY			
REV	DESCRIPTION	DATE	APPROVED



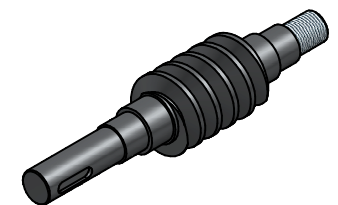
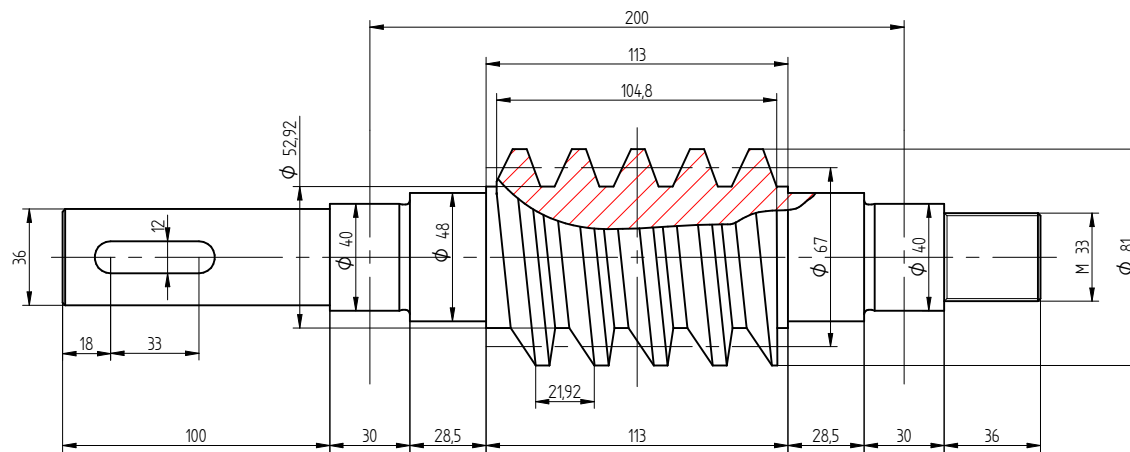
SOLID EDGE ACADEMIC COPY



	NAME	DATE	<h2 style="text-align: center;">Solid Edge</h2> <p style="text-align: center;">Vite Senza Fine</p>		
DRAWN	CarmNap	06/30/19			
CHECKED					
ENG APPR					
MGR APPR			TITLE		
UNLESS OTHERWISE SPECIFIED DIMENSIONS ARE IN MILLIMETERS ANGLES ±XX° 2 PL ±X.XX 3 PL ±X.XXX			SIZE	REV	
			A3	02	01
			FILE NAME: Ruota Esame 02.dft		
SCALE:	WEIGHT:	SHEET 2 OF 4			

REVISION HISTORY

REV	DESCRIPTION	DATE	APPROVED



SOLID EDGE ACADEMIC COPY

NAME	DATE	Solid Edge		
DRAWN	CarmNap	06/30/19	TITLE	
CHECKED			Vite Senza Fine	
ENG APPR			SIZE	REV
MGR APPR			A3	01
UNLESS OTHERWISE SPECIFIED DIMENSIONS ARE IN MILLIMETERS ANGLES ±X.X° 2 PL ±X.XX 3 PL ±X.XXX			DWG NO	02
			FILE NAME: Ruota Esame 02.dft	
SCALE:		WEIGHT:	SHEET 3 OF 4	